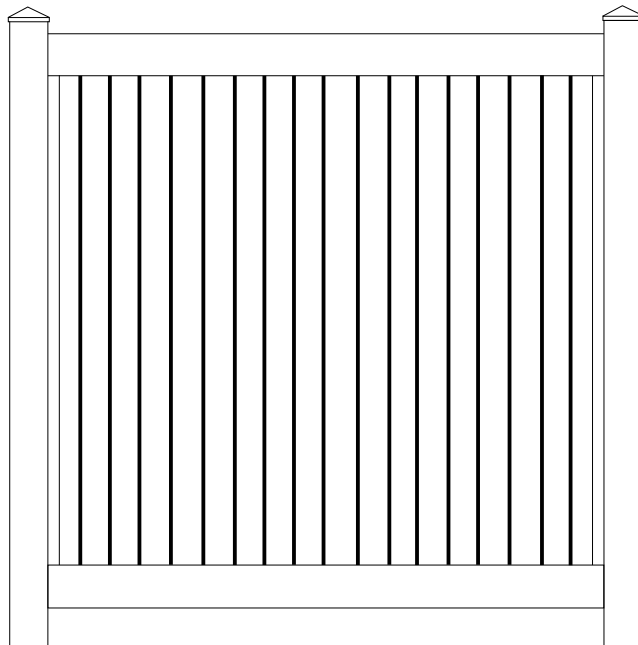




*For All Your Vinyl Fencing Needs*

# **PRIVACY PANEL AND GATE**

## **INSTALLATION INSTRUCTIONS**



## BEFORE YOU START, IT'S IMPORTANT TO CHECK:

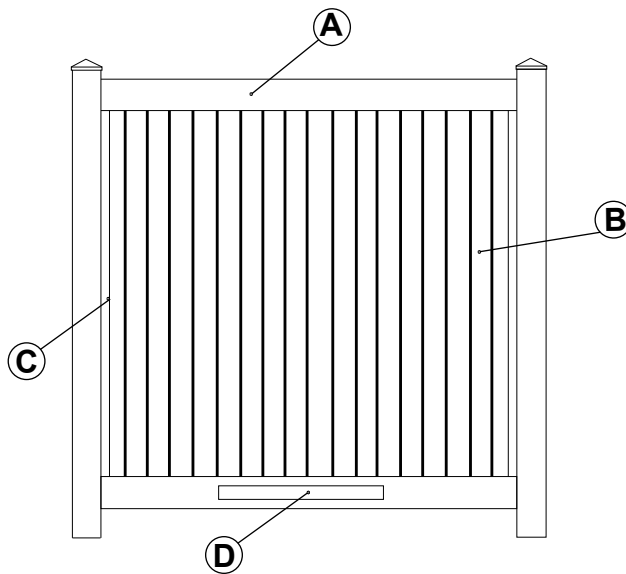
- That fence or the fence post footings do not exceed your lot lines of your property. If you can locate your lot pins that would be great. Otherwise you may need to refer to the real estate agents lot plans or you may need to hire a survey company to come out and mark your lot lines just to be sure.
- Check your local codes on fencing in your city regarding frontage locations and allowable fence heights in your neighborhood. A fence permit may be required.
- Contact Diggers Hotline in your state for locations for underground utilities or pipelines.

## PRIVACY PANEL

### PARTS LIST

#### EACH 4', 5' & 6' HIGH PRIVACY PANEL INCLUDES:

- A. 1-1/2" X 5-1/2" Slotted Rails (2)
- B. 7/8" X 11.3" Tongue and Groove Pickets (8) or (6) if using 6' centers
- C. 7/8" U-Channels (2) and 3/4" Screws for U-Channels (6) - Screws Not Shown
- D. Aluminum Insert (1)



**1**

**PREPARE FENCE LAYOUT**

Please read this instruction sheet completely before starting work. Laying out the fence is an important first step toward a quality installation.

**NOTE:** Privacy fences are designed for level terrain. For significant slopes in the terrain you will need to modify some of the posts and panel parts. Filing out the routed holes in the posts and cutting the tongue and groove pickets at the angle of slope will help with assembly on un-even terrain.

**STEP 1**

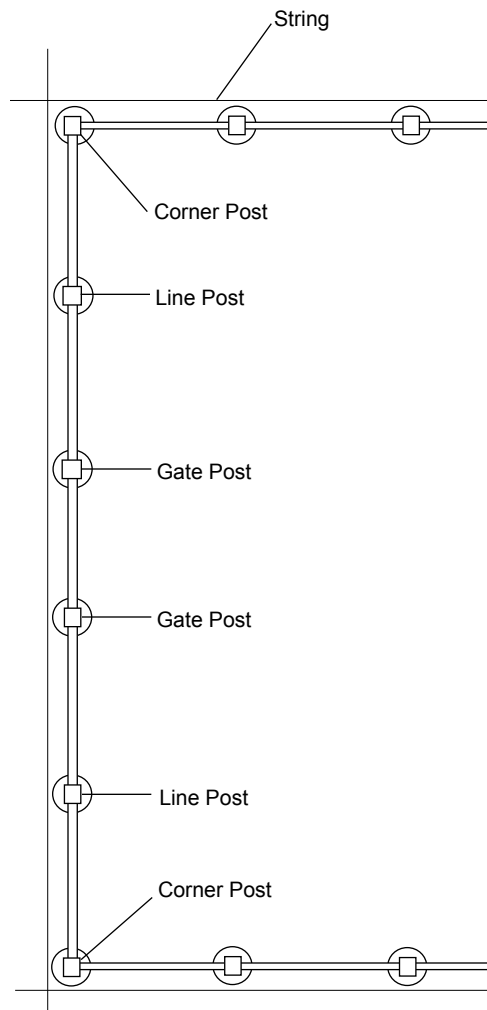
Locate the boundary lines to your property.

**STEP 2**

Drive stakes into the ground along the property line and stretch a string between each stake. We recommend that all posts be set approximately 4"- 6" inside of the property line to make sure that the concrete footings do not go over your property line.

**STEP 3**

Mark the location of each post hole. Privacy fence hole locations should be 96" on center for 8' sections and 73" on center for 6' sections. A can of bright colored spray paint or colored flags work well to mark out holes.



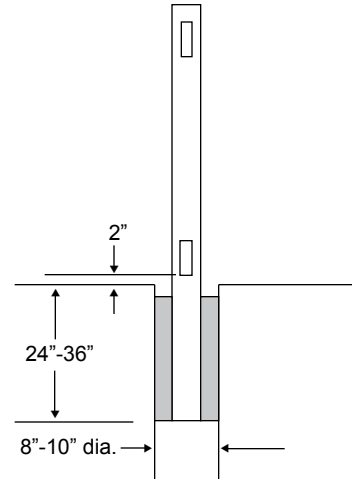
**2** **SETTING POSTS**

**STEP 1**

Dig holes 8"-10" in diameter and anywhere from 24", 30" or 36" deep depending on your local weather and soil conditions.

**STEP 2**

Position the post in the hole. The post should be centered in the hole and must be square with the fence line so that when the rails are inserted into place they will parallel the string line. Check the post on two adjacent sides with a carpenter's level and adjust as necessary to make sure it is plumb. The fence height above grade is also determined at this time. We recommend 2" be left from the bottom of the bottom rail to the ground.



**STEP 3**

Pour concrete around the posts and fill up to ground level. Wet or dry concrete works fine. If using dry concrete water down around the posts when you are ready for the concrete to start setting up. The concrete will be set up in about 24 hours. Repeat this step until all post are set and ready for panel assembly and gate install if needed.

**3** **PANEL ASSEMBLY - BOTTOM RAIL**

**STEP 1**

Slide bottom rails into cutouts in the post. The notches on the rails will lock the rail into the post. Repeat this step until all bottom rails are installed. If post spacing is less than 8' on center, cut a piece of bottom rail to achieve desired length. Any power saw works well to cut these rails. You can purchase a notching tool to re-notch the rail or in most cases you can put a screw into the cut rail to hold it in place.

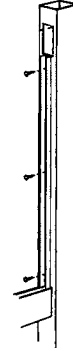


**4**

**PANEL ASSEMBLY U-CHANNEL**

**STEP 1**

Put U-channels on post sides between top and bottom rail cutouts. You can secure these with the 3/4" screws provided. Repeat this step until all u-channels are installed.



**5**

**PANEL ASSEMBLY PICKETS**

**STEP 1**

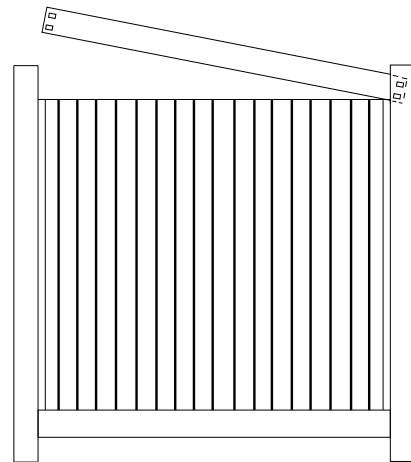
Starting on one end, insert the first picket into the bottom rail and the u-channel. Proceeding down the panel, insert the pickets into the bottom rails and interlock tongue and grooves as you go. If the posts are set at less than 8' on center you will need to cut down a tongue and groove picket to a smaller width to fit your remaining opening. These can be cut down with a power saw also. The cut will be hidden and insert into the end u-channel.

**6**

**PANEL ASSEMBLY TOP RAILS**

**STEP 1**

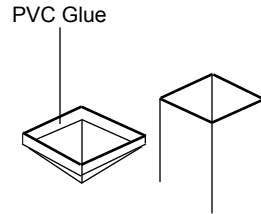
Place one end of the top rail into the posts and work your way down the panel, inserting pickets into the top rail as you go. Once all of the pickets are installed, slide the loose end of rail into the posts. If posts spacing is less than 8' on center cut a piece of top rail to achieve desired length. You can purchase a notching tool to re-notch the rails or in most cases you can put a screw into the cut rail to hold the rail in place. Repeat these steps until all pickets and top rails have been assembled.



**7**

**POST CAPS**

Apply pvc glue to the inside of the cap and press completely onto the top of the post. Press firmly to ensure that the cap is on as far as it will go.



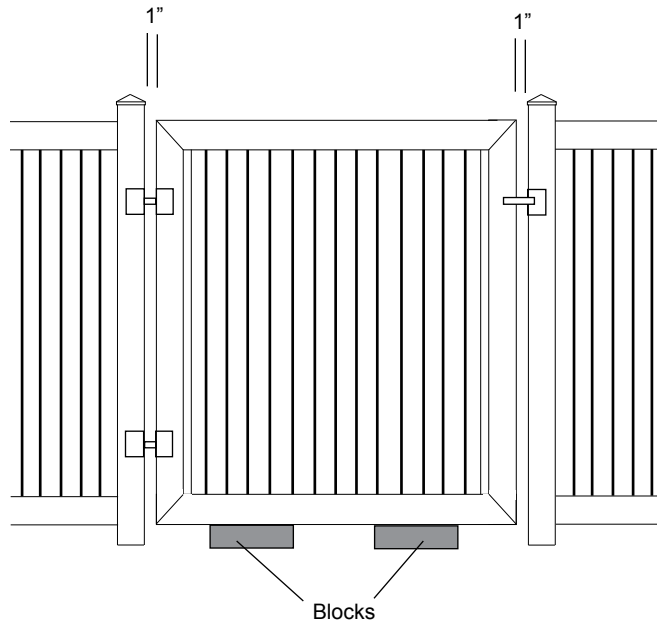
**8**

**HANG GATES**

**NOTE:** Example on gate posts setting. For a 3' Gate you will need to have 36" between the post and a 4' gate you will need 48" between the posts. For double gates, such as 8' gates, set post 96" between post. The gates will be made to fit those openings. The extra space will allow for the hinges and latch.

**STEP 1**

Position the gate in the gate opening and block up the gate as necessary to line up the horizontal gate rails with those of the fence. Hinge placement is optional. We recommend placing the top hinge about 4"- 6" down from the top of the gate frame and the other about 4"- 6" up from the bottom of the bottom rail. To install the latch follow the pre-packaged install instructions in the package.



**9**

**CLEANING**

During installation, your fence may have collected dirt. In most cases to clean your new fence you can just hose it off. For tougher marks, orange cleaner and a scotch brite pad works well to take those off.

**For more information contact:**

**HUSKER VINYL INC.**

402-923-0323

1-866-918-4695 (toll-free)

47287 U.S. Hwy. 81, Humphrey, NE 68642

e-mail: huskervinyl@megavision.com • www.huskervinyl.com

