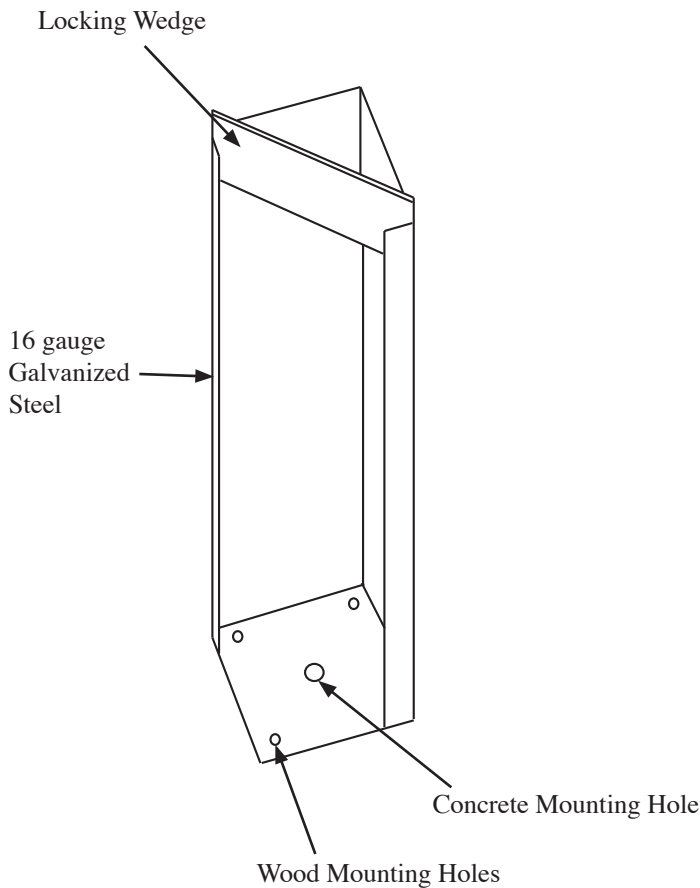




*For All Your Vinyl Fencing Needs*

## Wedge Post Mount Installation Instructions



1. The wedge post mount works best if mounted to a level surface. You can use spacers to help level the post mount if needed.
2. The base can be used as a template to mark and drill holes for use of fasteners which meet your local building codes.
3. Anchor the wedge post mount to the concrete surface using concrete anchors. If mounting to wood be sure you have a solid surface to mount to. We recommend using 4 carriage bolts to mount the post to wood.
4. Once the post mount is secured to the surface, slide the vinyl post over it. Then using a long bar, tap the wedge down in the mount to lock the vinyl posts onto the wedge mount.

When mounting the Wedge Mount, use the center hole only for use on concrete surfaces and the outer 4 holes when mounting to wood.